

Cable series

the basis of Remote Control System

Our cable series are offered in five sizes. In the standard version, three end part configurations are designed. There are six different types of

travel, which can be combined with three different seals. A multitude of additional possibilities for configuration and variation in the setup

of the cables are possible in order to create a solution that fits to the respective application.

Series 383 and 384

- Series 383 with zinc-coated end parts and stainless steel rod ends
- Series 384 with stainless steel end parts
- PTFE-covered inner member
- Highly efficient without stick-slip effect
- Remarkably small bend radii
- Extremely smooth at high loads
- Colour: blue/red marked
- For cable sizes V, L and M
- High temperature range from -50 °C to +100 °C (constant) and short term up to +170 °C



Series 283 and 284

- Series 283 with zinc-coated end parts and stainless steel rod ends
- Series 284 with stainless steel end parts
- PTFE-covered inner member
- Highly efficient without stick-slip effect
- Remarkably small bend radii
- Extremely smooth at high loads
- Colour: blue/yellow marked
- For cable sizes U, V, L, M and H
- High temperature range from -50 °C to +90 °C (constant) and short term up to +150 °C



Series 275 and 274

- Series 275 with zinc-coated end parts and stainless steel rod ends
- Series 274 with stainless steel end parts
- Inner member stainless steel reinforced
- Highly efficient
- Remarkably small bend radii
- Extremely smooth
- High travel frequencies
- Colour: blue
- For cable sizes U, V, L and M
- High temperature range from -50 °C to +90 °C (constant) and short term up to +110 °C



7-1

Series 775 and 774

- Series 775 with zinc-coated end parts and stainless steel rod ends
- Series 774 with stainless steel end parts
- Attractive pricing
- Highly efficient
- For applications without special requirements
- Colour: black
- For cable sizes U, L and M
- High temperature range from -50 °C to +80 °C (constant) and short term up to +100 °C



7-2

Cable sizes, maximum travel, bend radii, seals, thread rod ends, outer diameter of conduits and push and pull forces depending on the travel

Cable sizes, maximum travel, bend radii, seals, thread rod ends and outer diameter of conduit

Cable size	Max. travel mm	Bend radius for cable series				Seals			Thread rod ends		Outer diameter of conduit for cable series			
		383/384 mm	283/284 mm	275/274 mm	775/774 mm	No. 05 for normal applications	No. 10* for fine dust	No. 20* for extreme conditions	metric	inch	383/384 mm	283/284 mm	275/274 mm	775/774 mm
U	76	-	51	51	115	●	●		M5	10-32	-	6,8	6,8	7,5
V	152	51	51	51	-	●	●		M5	10-32	8,8	8,8	8,8	-
L	152	76	76	76	180	●	●	●	M6	1/4-28	12,2	13,3	13,3	11,0
M	152	127	127	127	230	●		●	M8	5/16-24	14,5	15,0	15,0	14,0
H	152	-	152	-	-	●			M10	3/8-24	-	17,6	-	-

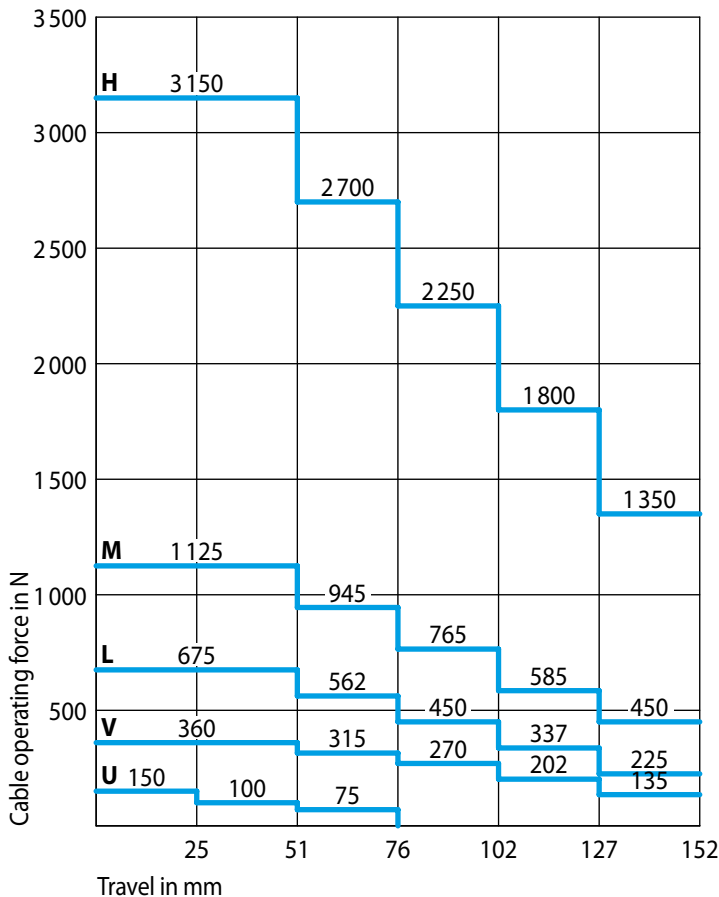
* for connection type S and R only on request

Push and pull forces depending on the travel

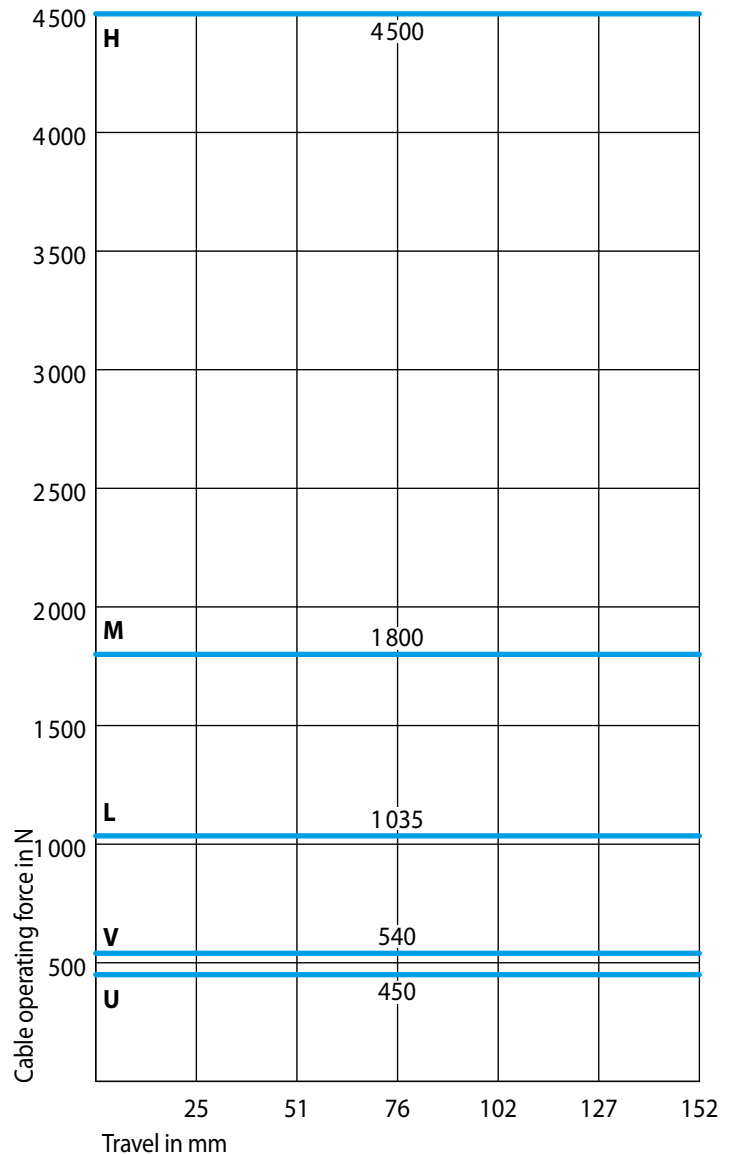
The specified forces are applicable for use in permanent operation with a long service life.

A safety factor of 1.5 can be used to calculate the temporary overloads.

Push forces diagram



Pull forces diagram



Efficiencies

Efficiencies

The efficiency of a push/pull cable (the relation of the required cable operating force to a given output force) is particularly influenced by the number of bends laid in the cable.

The cable operating force can be calculated in accordance with the following formula:
 Operating force = Output force x Efficiency factor

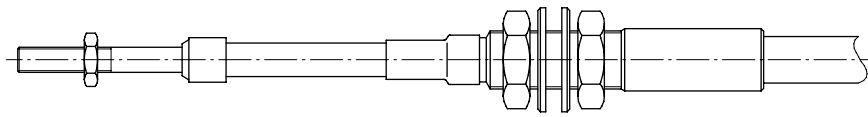
α is the sum of all cable bends in degrees. In addition to the cable bends, the cable length is to be taken into consideration with 15° for every 1 meter.

Series	Efficiency factor for α				
	180°	360°	540°	720°	900°
383 + 384	1,17	1,36	1,59	1,85	2,16
283 + 284	1,17	1,36	1,59	1,85	2,16
275 + 274	1,31	1,72	2,26	2,96	3,88
775 + 774	1,31	1,72	2,26	2,96	3,88

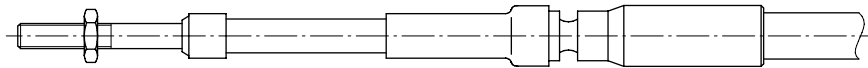
Example of efficiency factor

Cable series	283
Cable size	L
Cable length	12 m
Sum of bends	180°
alpha	$180^\circ + 12 \times 15^\circ = 360^\circ$
Efficiency factor	1,36

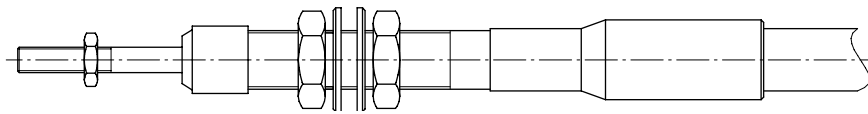
Connection types of cable end parts



Swiveled bulkhead endfitting type T



Swiveled clamp endfitting type G



Rigid screw endfitting type S and R

Wiper seals

Seal no. 05

The rubber wiper seal has been proven for all cable sizes for normal applications in the entire machine construction. Upon request also with a support tube from stainless steel.

Seal no. 10

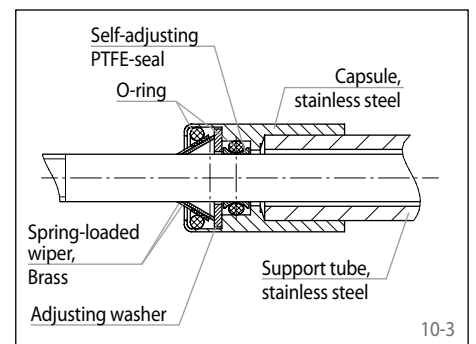
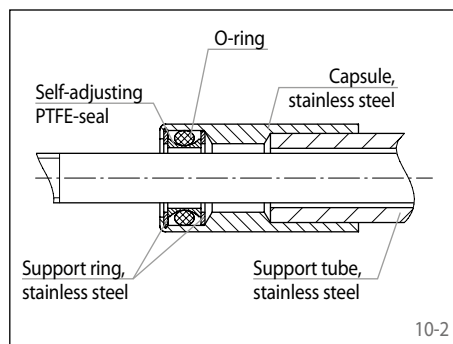
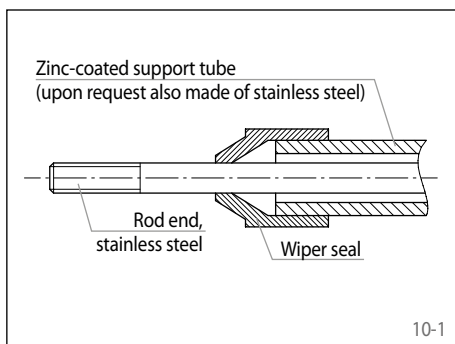
Automatic self-adjusting PTFE wiper seal in case of wear for cable sizes U, V and L. Protects well against fine dust.

For connection type S and R only on request.

Seal no. 20

Design like seal no. 10 with additional double spring-loaded metal wiper, for cable sizes L and M. For extreme conditions such as sludge, coarse dirt and ice.

For connection type S and R only on request.

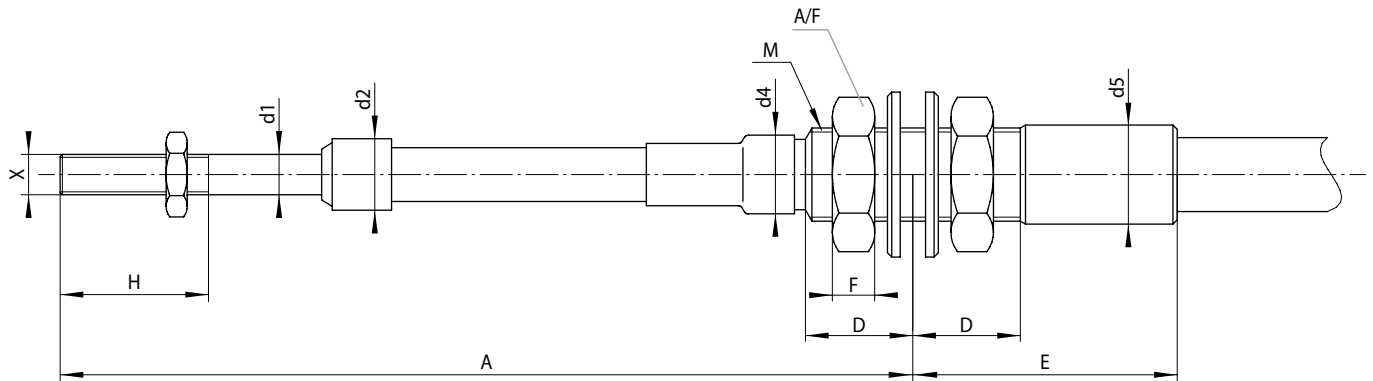


Lubrication

RCS® push/pull cables are designed and lubricated for optimum performance and life. Under no circumstances should you re-lubricate or attempt any other kind of maintenance!

Connection type T

Swiveled bulkhead endfitting



11-1

Cable size	d1 mm	d2* mm	d4 mm	d5** mm	D mm	E mm	F mm	H mm	M	A/F mm	X
U	4,75	10	11,3	11,5	14	33	7	20	7/16-20-UNF	17	M5
V	4,75	10	11,3	11,5	14	33	7	20	7/16-20-UNF	17	M5
L	6,35	13	14,7	16,5	19	51	8	24	M16 x 1,5	24	M6
M	8,0	14,5	16,3	19,3	22	54	9	24	M18 x 1,5	27	M8
H	9,5	17,0	18,5	23,4	25	66	10	35	M22 x 1,5	32	M10

* for seal no. 05

** Pressed according to manufacturer's choice (round, hexagonal or segmental pressing).

Dimensions A

Cable size	Push/pull cables* at travel of						Cable with hand operation**				Cables for levers***		
	25 mm	51 mm	76 mm	102 mm	127 mm	152 mm	NL/TL (1)/MA		TL (2)	16RFA7.2 mm	SH 58.x mm	FH 22.x mm	
U	111	149	187	-	-	-	25 mm	51 mm	76 mm	38 mm	151	-	-
V	111	149	187	225	263	301	25 mm	51 mm	76 mm	38 mm	-	189	189
L	117	155	193	231	270	308	25 mm	51 mm	76 mm	38 mm	-	195	-
M	-	166	205	243	281	319	-	-	-	-	-	-	-
H	-	182	221	259	297	335	-	-	-	-	-	-	-

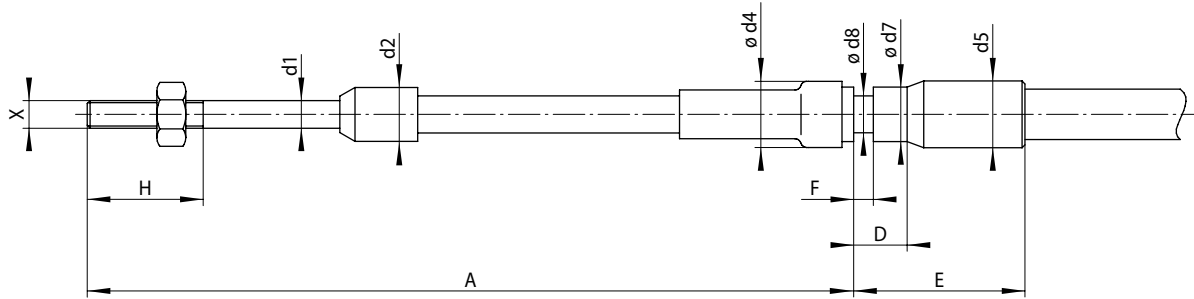
* Rod end in mid position

** Rod end completely moved out (see from page 22), TL (1) = variant 1, TL (2) = variant 2 (see page 25)

*** Rod end in mid position (see from page 32)

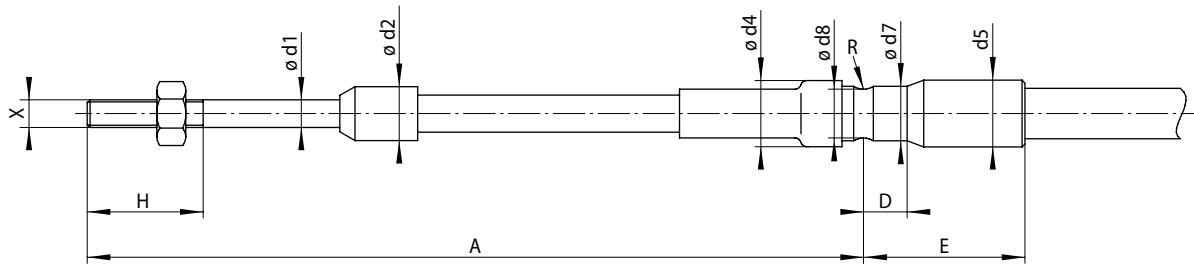
Options

Can also be supplied with end parts made of stainless steel.



12-1

for cable sizes U and V



12-2

for cable sizes L, M and H

Cable size	d1 mm	d2* mm	d4 mm	d5** mm	d7 mm	d8 mm	D mm	E mm	F mm	H mm	R mm	X
U	4,75	10	11,3	10,2	9,4	6,35	11	29,5	3,4	20	-	M5
V	4,75	10	11,3	11,5	9,4	6,35	8,7	29,5	3,4	20	-	M5
L	6,35	13	14,7	16,5	12,7	10,4	11,1	44,5	-	24	4,3	M6
M	8,0	14,5	16,3	19,3	14,3	11,9	18	48	-	24	4,3	M8
H	9,5	17	18,5	23,4	16,6	12,7	9,6	67	-	35	5,0	M10

* for seal no. 05

** Pressed according to manufacturer's choice (round, hexagonal or segmental pressing).

Dimensions A

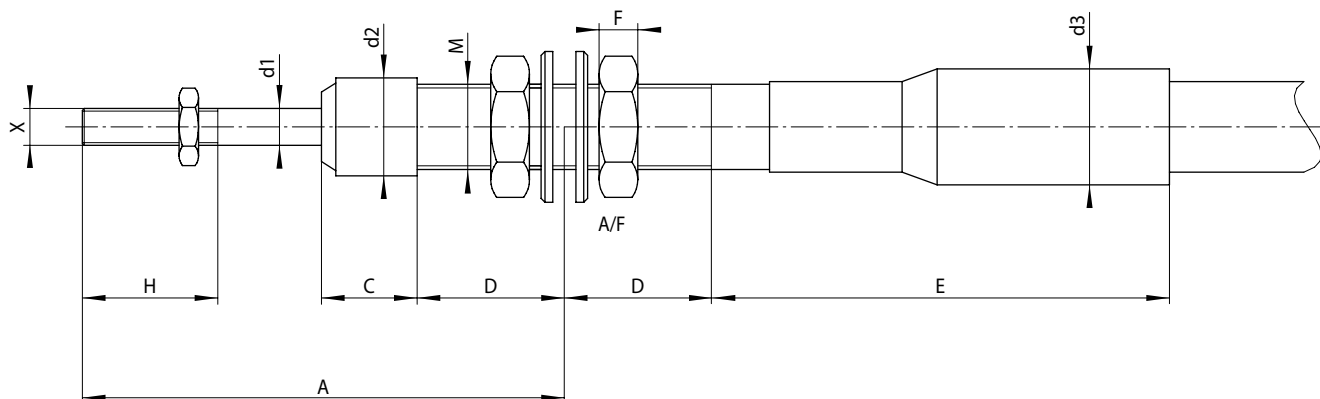
Cable size	Push/pull cables* at travel of						Cable with hand operation**				Cables for operating level***		
	25 mm	51 mm	76 mm	102 mm	127 mm	152 mm	NL/TL (1)/MA		TL (2)	16RFA7.2 mm	SH 58.x mm	FH 22.x mm	
U	94	132	170	-	-	-	25	51	76	38	134	-	-
V	94	132	170	208	246	284	25	51	76	-	-	172	172
L	102	140	178	216	254	292	114	165	216	-	-	180	-
M	-	149	187	225	263	301	-	-	-	-	-	-	-
H	-	170	208	246	284	322	-	-	-	-	-	-	-

Can also be supplied with end parts made from stainless steel.

* Rod end in mid position

** Rod end completely moved out (see from page 22), TL (1) = variant 1, TL (2) = variant 2 (see page 25)

*** Rod end in mid position (see from page 32)



13-1

Cable size	C mm	d1 mm	d2 mm	d3* mm	E mm	F mm	H mm	M	A/F mm	X
U	13	4,75	10	12,7	35	5	20	M10 X 1	17	M5
V	13	4,75	10	12,7	35	5	20	M10 X 1	17	M5
L	16	6,35	13	16,5	-	7	24	7/16-20 UNF	17	M6
M	16	8,0	14,5	19,3	71	6	24	M12 X 1	19	M8
H	16,5	9,5	17	23,4	70	8	35	M16 X 1,5	24	M10

* Pressed according to manufacturer's choice (round, hexagonal or segmental pressing).

Dimensions A

Cable size	Push/pull cables* at travel of						Cable with hand operation**				Cables for operating level***		
	25 mm	51 mm	76 mm	102 mm	127 mm	152 mm	NL/TL (1)/MA		TL (2)	16RFA7.2 mm	SH 58.x mm	FH 22.x mm	
U	63	88	113	-	-	-	25	51	76	38	90	-	-
V	63	88	113	138	163	-	25	51	76	38	-	117	115
L	-	90	113	126	138	151	-	116****	151****	-	-	117	-
M	-	94	119	146	-	-	-	-	-	-	-	-	-
H	-	-	-	161	-	211	-	-	-	-	-	-	-

* Rod end in mid position

** Rod end completely moved out (see from page 22), TL (1) = variant 1, TL (2) = variant 2 (see page 25)

*** Rod end in mid position (see from page 32)

**** only for hand operation TL and MA, not available for NL

Dimensions D for cable size and travel:

Cable size	Travel					
	25 mm	51 mm	76 mm	102 mm	127 mm	152 mm
U	15	27	40	-	-	-
V	15	27	40	53	-	-
L	-	20	30	30	30	30
M	-	24	36	50	-	-
H	-	-	-	54	-	79

Dimensions E for cable size L and travel:

Cable size	Travel				
	51 mm	76 mm	102 mm	127 mm	152 mm
L	73	79	104	129	155

Cable series 275 and 283 are available for cable sizes U-M.

The cable size H can only be supplied with cable series 283.

"S" denotes the rigid cable ends for cable sizes U, V, M and H. "R" is the designation for a rigid end for cable size L.



Codes of practice

- Do not install push/pull cables in any applications, which may exceed the design parameters of the cable.
- Do not remove seals! RCS® cables cannot be disassembled!
- RCS® push/pull cables are designed and lubricated for optimum performance and life; under no circumstances should you re-lubricate or attempt any other kind of maintenance.
- Cables that have moisture inside or are frozen should be replaced. Do not apply heat to remove moisture.
- Protect cables from physical damage such as bending, crushing, heavy vibration and from contamination such as moisture, dirt or chemicals. Do not paint ends!
- A gradual or sudden increase in friction or decrease in the travel length of a control cable is an indication of possible performance issues and/or cable failure. We recommend that you replace the cable in this event as a precautionary measure.

Health and safety regulations

Control cables and actuators contain thermoplastic materials in the form of knobs etc. or as covering and/or lining of assemblies.

These materials include polypropylene, acetyl resin, high and low-density polyethylene, nylon etc. In normal use these do not constitute any

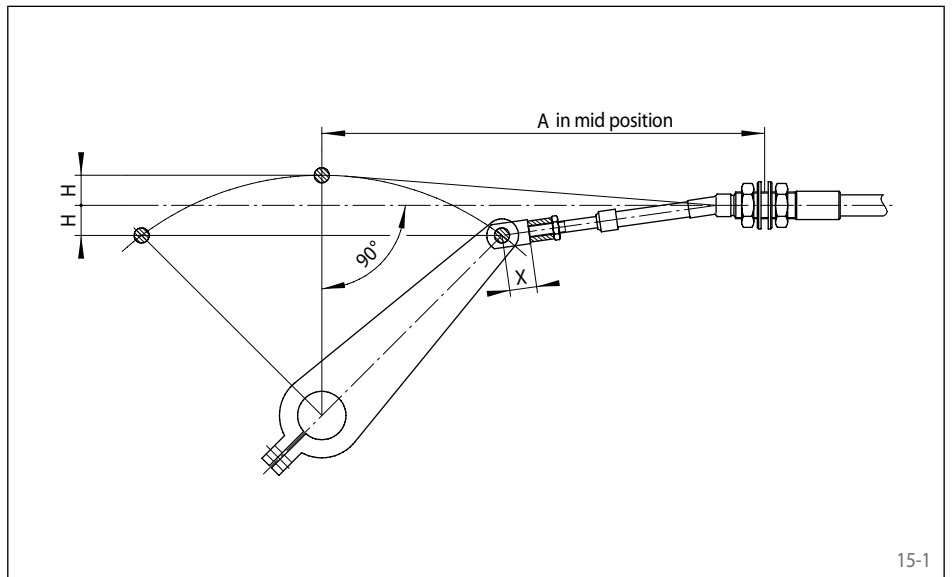
hazard. But, if burnt, they may give fumes, some of which may be toxic, and all recommended fire-fighting precautions shall be observed.

Connection to a lever

If a push/pull cable is connected to a lever that describes an arc, it should be adjusted at the right angle to half travel position and half the height of the segmental arc of the lever.

Swiveled endings (connection types G and T) allow for an arc from centerline of $\pm 8^\circ$ all way around.

(Push/Pull Cables with swiveled end)

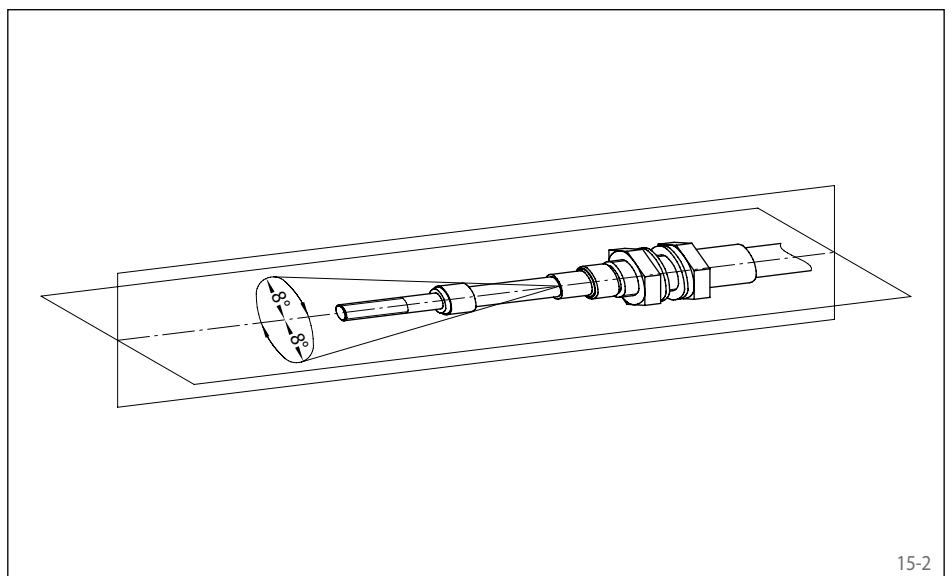


15-1

Alignment of the end parts

For linear movement only (e.g. spool valves) accurate alignment of both planes of the cable and the object to be controlled is necessary!

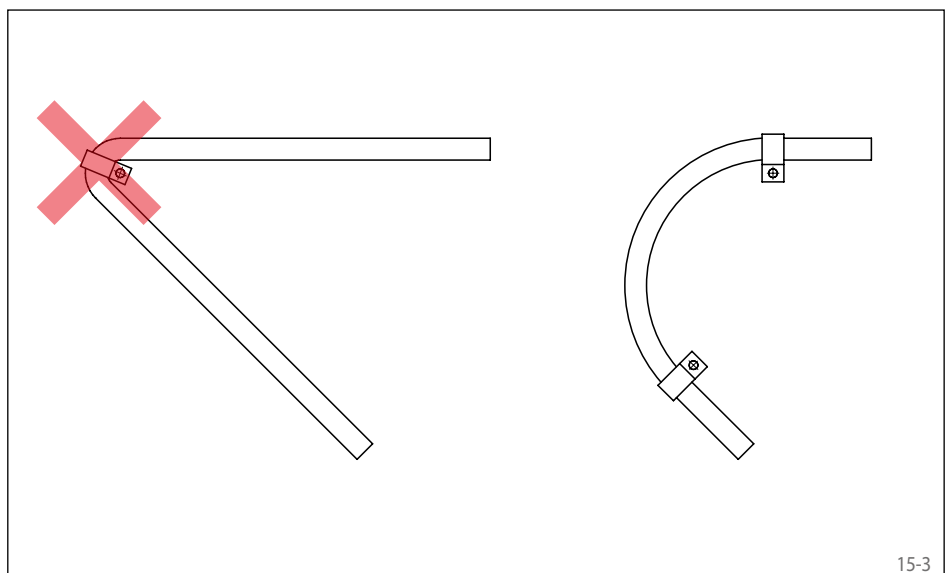
(Push/Pull Cables with swiveled end)



15-2

Fastening the cables

Only correct installation and layout of push/pull cables assure proper function. Anchor cable end parts securely so that they cannot move or twist under load. Clamps shall be placed at one-meter intervals; they should fasten the cable but not squeeze it, in bends only at the ends of bend radii.



15-3

Features

Order code:

283 - L - G 05 M / T 10 M - 3 - 0200

Cable serie:

383/384, 283/284, 275/274, 775/774

Cable size:

Selection according to operating forces, connection threads, bend radii etc.:

U, V, L, M or H

Connection first cable end part:

In accordance with installation conditions T, G, S or R

Wiper seal:

Seal no. 05, 10 or 20

Thread at rod end:

The size of the connection thread can be calculated from the cable size,

M for metric,

Z for inch (UNF) thread

Connection second cable end part:

In accordance with installation conditions T, G, S or R

Wiper seal:

Seal no. 05, 10 or 20

Thread at rod end:

M for metric,

Z for inch (UNF) thread

Travel code:

The following values are possible as travel code, in compliance with a travel in mm:

1	2	3	4	5	6
25	51	76	102	127	152

Cable length:

Entire length, denoted in cm, principally 4-figure:

e. g.: 3 400 mm = -0340

e. g.: 5 m = -0500

